

Fensterverschlüsse Window handles

HAPPICH GmbH
Lise-Meitner-Straße 14
42119 Wuppertal
Deutschland

Telefon +49 (0)202.87 03 – 0
Fax +49 (0)202.87 03 – 599
E-Mail info@happich.de

www.happich.de



591 M107 (auf Anfrage)

Schiebefenster-Verschluss

für Omnibusse, mit PVC-Unterlagen
Kunststoff, schwarz / Schrauben: Stahl verchromt
53 g/St.

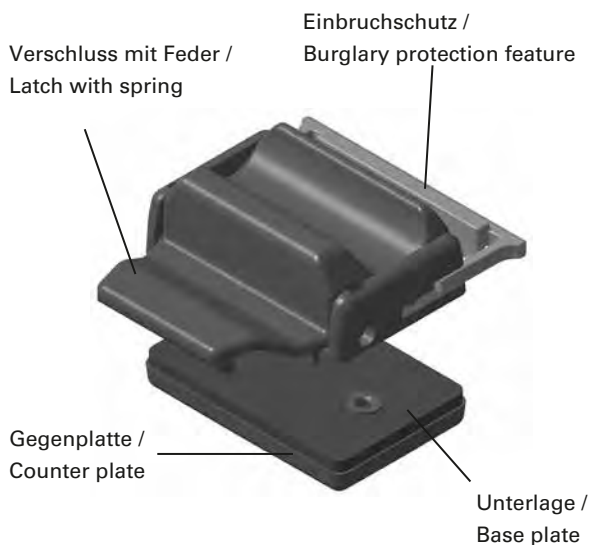
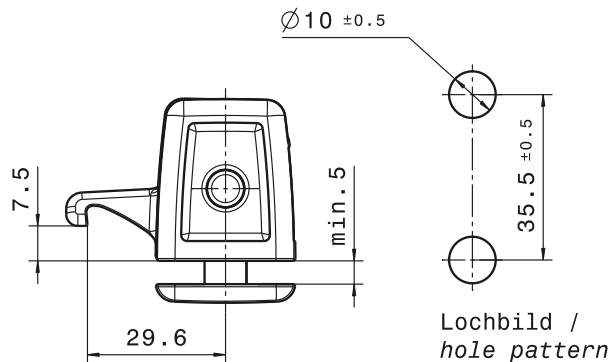
Gesondert bestellen:
Gegenstück 591 M118

591 M107 (on request)

Sliding window catch

for coaches, with PVC gasket
plastic, black / Screws: chrome-plated steel
53 g/each

Order separately:
Counter piece 591 M118

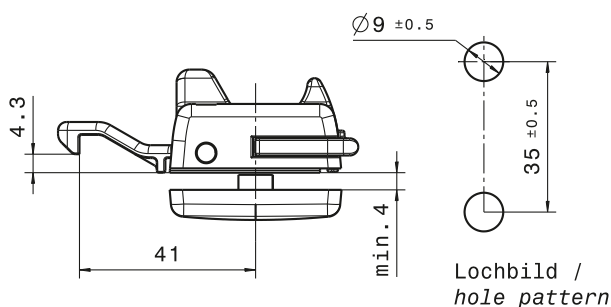


591 0019

Schiebefenster-Verschluss mit Einbruchschutz

PA 6, schwarz
mit Feder aus Stahl und Unterlage aus Zellkautschuk
53 g/St. VE 1 St.

Zur Montage empfehlen wir:
EJOT PT-Schrauben KA
40 x 10 mm WN 1451 bei 5 mm Anschraubdicke
40 x 12 mm WN 1451 bei 7 mm Anschraubdicke
40 x 14 mm WN 1451 bei 9 mm Anschraubdicke
alle jeweils mit $\varnothing 4$ mm

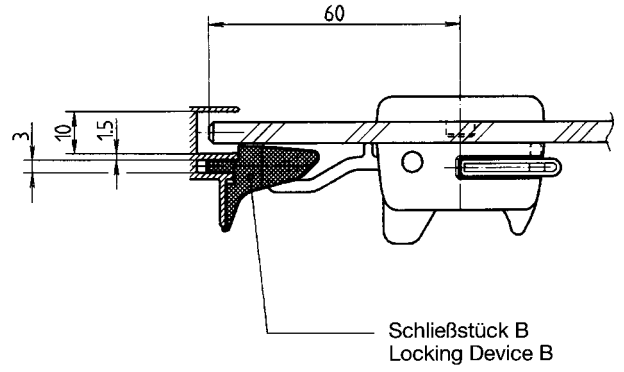


591 0019

Sliding window catch with burglary protection feature

Black PA 6
with steel spring and cellular rubber base plate
53 g/each S.U. 1

For installation purposes we recommend
EJOT PT half dog point screws:
40 x 10 mm WN 1451 for 5 mm thickness
40 x 12 mm WN 1451 for 7 mm thickness
40 x 14 mm WN 1451 for 9 mm thickness
all with 4 mm diam.



591 0022

Schließstück B

PA 6, schwarz
11 g/St.

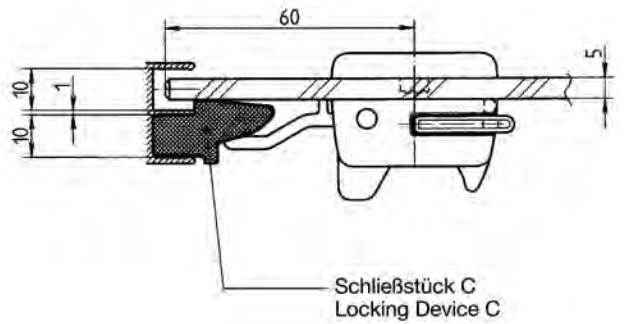
VE 5 St.

591 0022

Locking device B

Black PA 6
11 g/each

S.U. 5



591 0023

Schließstück C

PA 6, schwarz
13 g/St.

VE 50 St.

591 0023

Locking device C

Black PA 6
13 g/each

S.U. 50



Fensterverschlüsse Window handles

HAPPICH-RIU S.A.

Avda. Maresme, 44 3^o-1^a
08918 Badalona
Spain

Phone +34 933 037 600
Fax +34 933 037 610
E- Mail acriu@acriu.com

www.happich-riu.com



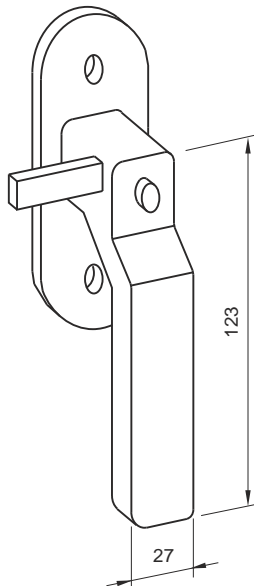
CIERRES DE VENTANA

*

WINDOW LOCKS



DIBUJO MANO IZQUIERDA
LEFT HAND DRAWING

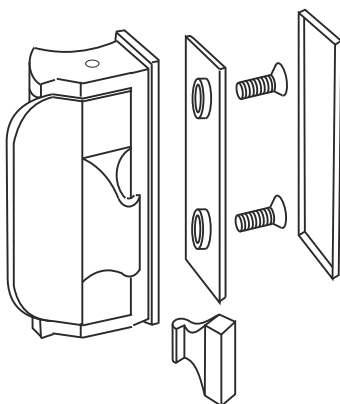


0090 01
CIERRE VENTANA
CON SEGURO,
MANO IZQUIERDA
GLASS HANDLE WITH SAFETY
DEVICE LEFT HAND

0090 02
CIERRE VENTANA
CON SEGURO,
MANO DERECHA
GLASS HANDLE WITH SAFETY
DEVICE RIGHT HAND

Zamak pintado en negro
Black enameled Zamak

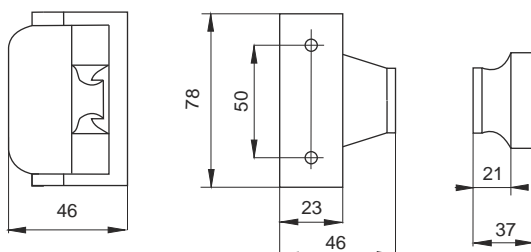
Peso / Weight 285 g



0091 00
CIERRE
VENTANA CORREDERA
SLIDING GLASS LOCK

Plástico negro
Black plastic

Peso / Weight 75 g

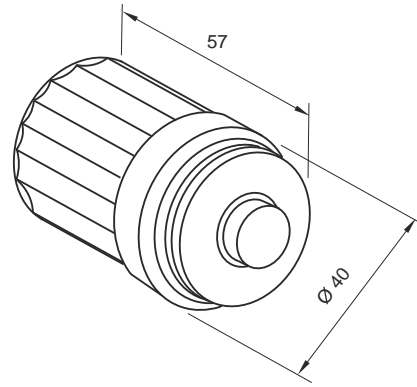




0092 00
POMO VIDRIO CORREDERO
KNOB FOR SLIDING GLASS

Plástico negro
Black plastic

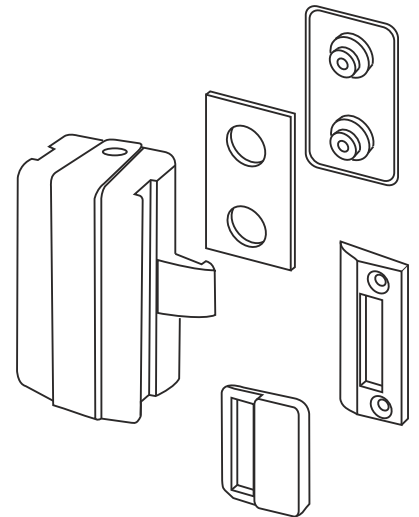
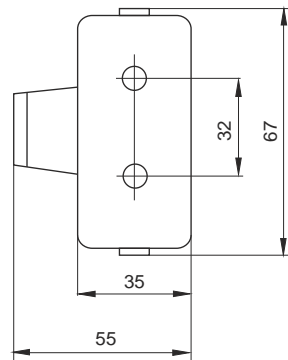
Peso / Weight 66 g



0093 00
CIERRE
VENTANA CORREDERA
SLIDING GLASS LOCK

Plástico negro
Black plastic

Peso / Weight 72 g



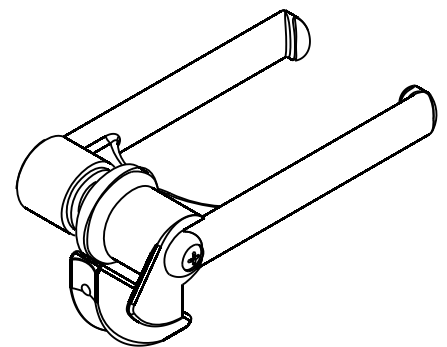
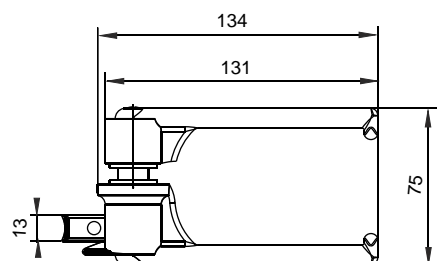
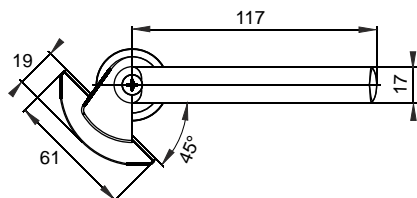
DIBUJO MANO IZQUIERDA
LEFT HAND DRAWING

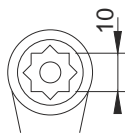
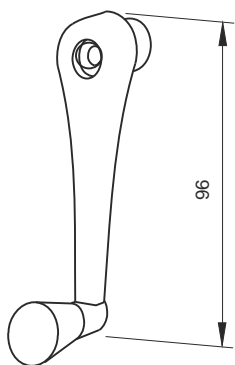
0831 01
CIERRE VENTANA
MANO IZQUIERDA
GLASS HANDLE LEFT HAND

0831 02
CIERRE VENTANA
MANO DERECHA
GLASS HANDLE RIGHT HAND

Poliamida negra
Black polyamide

Peso / Weight 111 g

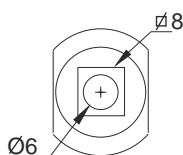
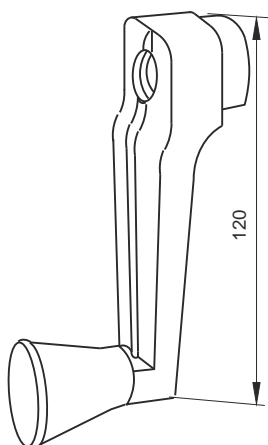




1157 00
MANIVELA ELEVACIONES
STANDARD
WINDOW REGULATOR
STANDARD HANDLE

Zamak cromado
Chromed zamak

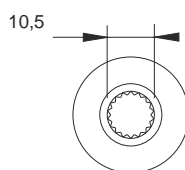
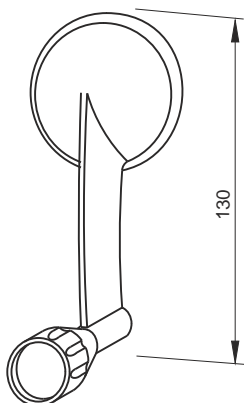
Peso / Weight 70 g



1170 00
MANIVELA ELEVACIONES
(Pegaso Comet)
WINDOW REGULATOR HANDLE

Zamak cromado
Chromed zamak

Peso / Weight 160 g



1171 01
MANIVELA ELEVACIONES 1584
WINDOW REGULATOR HANDLE

Zamak cromado
Chromed zamak

Peso / Weight 170 g

1171 02
MANIVELA ELEVACIONES 1584
WINDOW REGULATOR HANDLE

Zamak pintado negro
Black enameled zamak

Peso / Weight 170 g

Fensterverschlüsse Window handles

Weston Body Hardware Ltd.

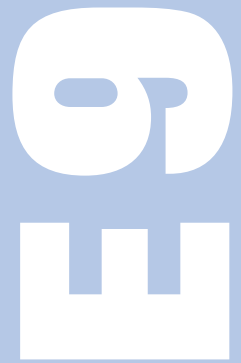
Crossgate Road
Park Farm Redditch B98 7SN
United Kingdom

Phone +44(0)1527 5160600

Fax +44(0)1527 5260600

E-Mail lockmaster@westonbodyhardware.com

www.westonbodyhardware.com



9/00874
Centre fix handle

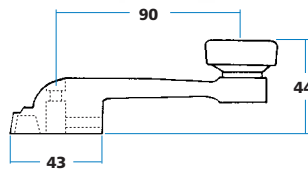


9/00875
Concealed
fix handle

Grub screw
(2BA) supplied

ORDERING CODE

9/00874	Centre-screw handle, chrome
9/00874B	Centre-screw handle, black
9/00875	Concealed-fix handle, chrome
9/00875B	Concealed-fix handle, black



Core is 9.5mm square, in-line with axis

DIECAST WINDOW HANDLES

'Hi-line' style

Elegant handles suitable for most 9.5mm square-shaft drives. The packing shim 1/07995 can be used to convert to 8mm square-drive.

'Smooth-line' style

Attractive, clean-styled handles, with centre-fixing at 45° to axis. A moulded spacer disc (5/01595) is supplied as standard, and there is a choice of large or small knobs.

9/01595 (splined core model)

A special version has 'female' splined core to suit certain types of window regulators. Ask for drawing

Ask for drawing



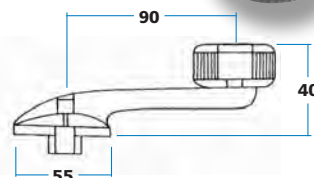
9/00625
(knob diameter is
35mm)



9/00225
(large, knurled
knob, 40mm dia.)

ORDERING CODE

9/00225	Window handle, chrome, large knob
9/00225B	Window handle, black, large knob
9/00625	Window handle, chrome, small knob
9/00625B	Window handle, black, small knob



Core is 9.5mm square, at 45° to axis

'Low-line' style

A smaller, lower handle, which in standard version has a recessed hexagon-form to accept 'Wilmot Breeden'-style window regulators.

9/01701 (splined core model)

A special version has 'male' splined core to suit AC-Delco window regulators. Ask for drawing.



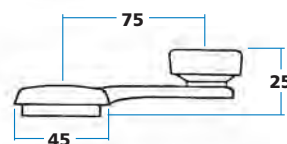
1/24425
Handle with
'hexagon' form



9/01701
Handle with
'male' spline form

ORDERING CODE

1/24425	Window handle, chrome, hex
1/24425B	Window handle, black, hex
9/01701	Window handle, chrome, spline
9/01701B	Window handle, black, spline



Top recess 6mm diameter x 10mm deep