

# Beschläge Fittings

**HAPPICH GmbH**

Lise-Meitner-Straße 14  
42119 Wuppertal  
Deutschland

Telefon +49 (0)202.87 03 – 0  
Fax +49 (0)202.87 03 – 599  
E-Mail [info@happich.de](mailto:info@happich.de)

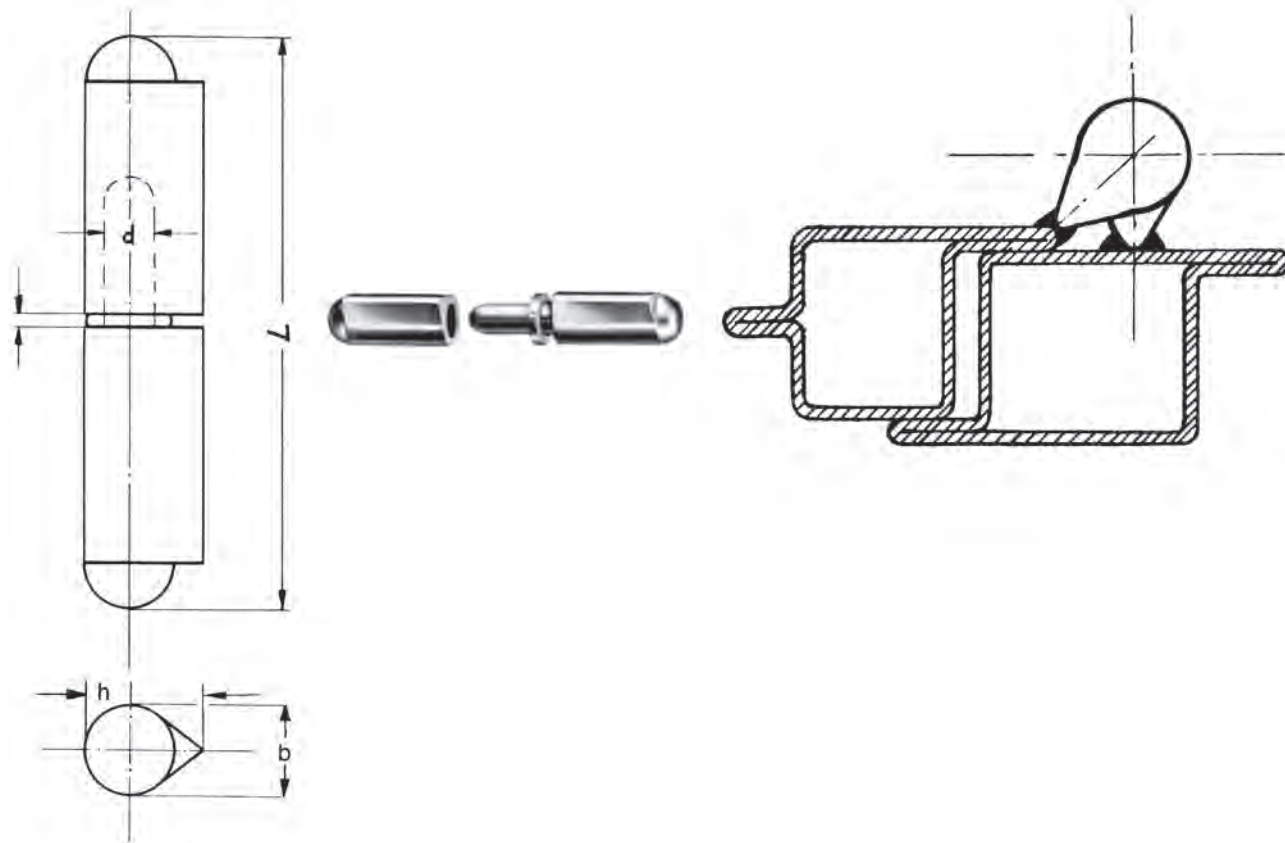
[www.happich.de](http://www.happich.de)

## Anwendungsbeispiel

Gezogene Ausführung

## Example of application

Drawn version



## Anschweißbandrolle

mit Rundkopf

Stahl, gezogen, mit Anschweißnase

Zwischenring: Messing

mit festem Stahlstift

(auf Wunsch auch lieferbar mit losem Stift)

VE 20 St.

## Lift-off hinge

with round head pin

drawn steel with welding lug

Spacer ring: brass

with fixed steel pin

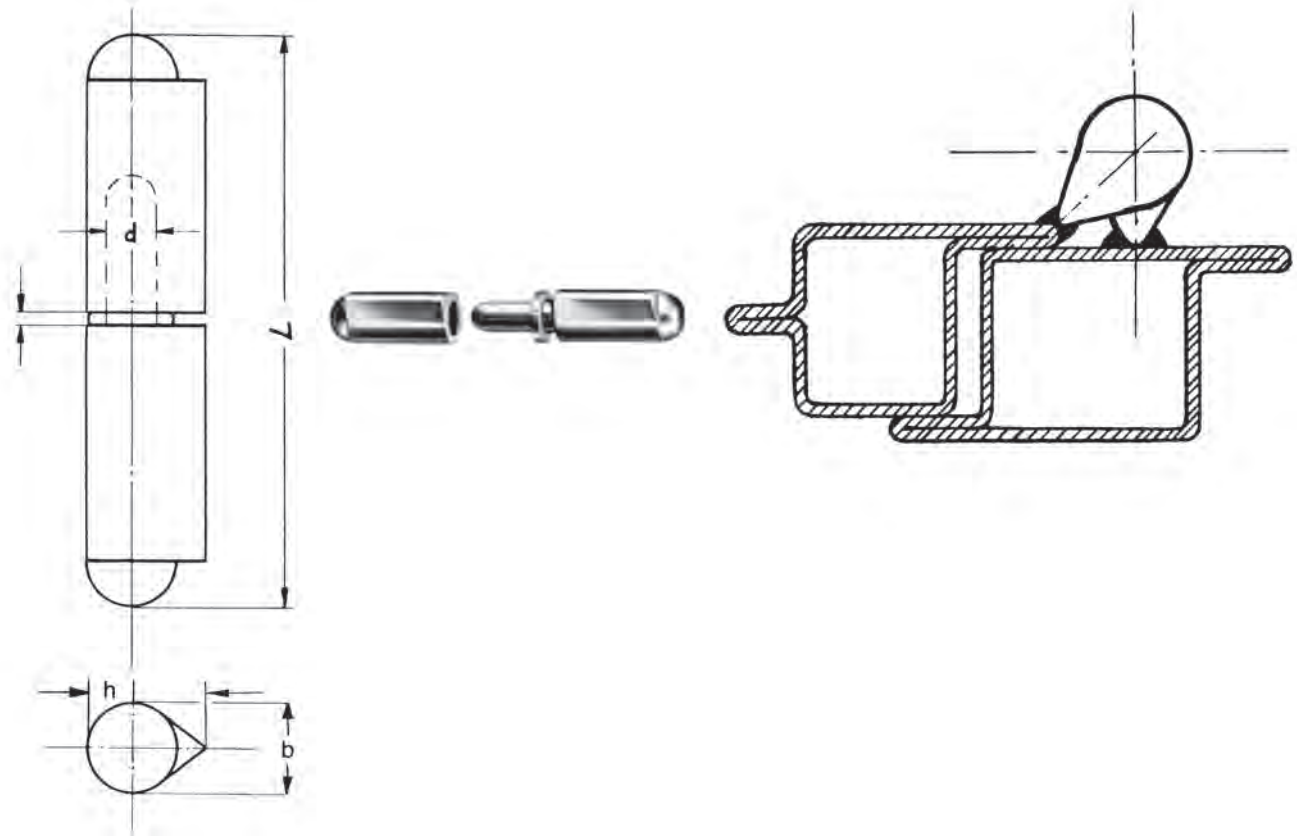
(optionally available with separate pin)

S.U. 20

| Art.-Nr./<br>part no. | Bandlänge/length<br>L = mm | Rollendicke/thickness<br>h = mm | Rollen-Ø/dia.<br>b = mm | Stift-Ø/pin dia.<br>d = mm | g/St./<br>g/each |
|-----------------------|----------------------------|---------------------------------|-------------------------|----------------------------|------------------|
| <b>601 0115</b>       | 60                         | 12                              | 10                      | 6                          | 36               |
| <b>601 0117</b>       | 100                        | 20                              | 16                      | 10                         | 122              |

**Anwendungsbeispiel**  
Gezogene Ausführung

**Example of application**  
Drawn version



**Anschweißbandrolle**

mit Rundkopf  
Stahl, gezogen; mit Anschweißnase  
Zwischenring: Messing  
**mit festem Messingstift**  
(auf Wunsch auch lieferbar mit losem Stift)

**Lift-off hinge**

with round head pin  
drawn steel with welding lug  
Spacer ring: brass  
**with fixed brass pin**  
(optionally available with separate pin)

VE 20 St.

S.U. 20

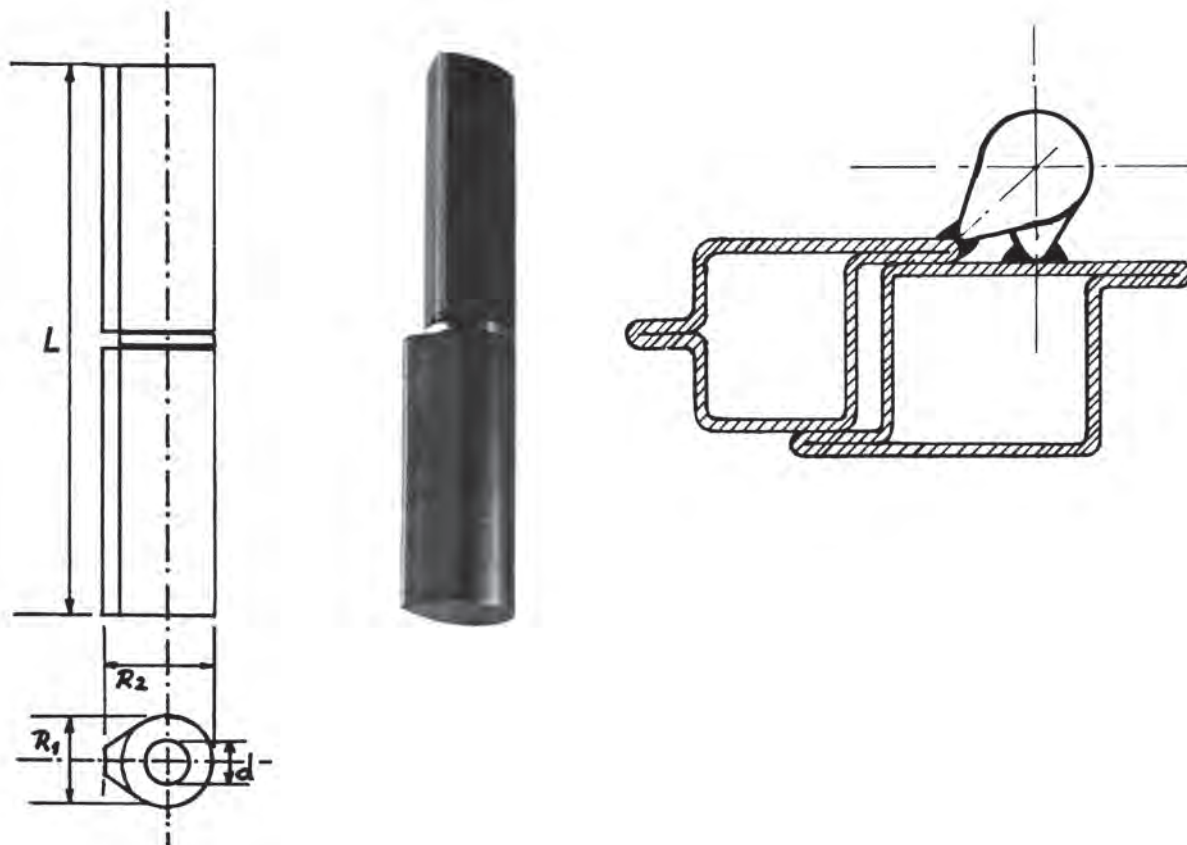
| Art.-Nr./<br>part no. | Bandlänge/length<br>L = mm | Rollendicke/thickness<br>h = mm | Rollen-Ø/dia.<br>b = mm | Stift-Ø/pin dia.<br>d = mm | g/St./<br>g/each |
|-----------------------|----------------------------|---------------------------------|-------------------------|----------------------------|------------------|
| <b>601 0120</b>       | 80                         | 16                              | 13                      | 8                          | 82               |
| <b>601 0121</b>       | 100                        | 20                              | 16                      | 10                         | 122              |

## Anwendungsbeispiel

Gezogene Ausführung

## Example of application

Drawn version



### Anschweißbandrolle (auf Anfrage)

mit Flachkopf

Stahl, gezogen, mit Anschweißnase

Zwischenring: Messing

Mindestmenge 100 Stück

### Lift-off hinge (on request)

with flat head pin

drawn steel with welding lug

Spacer ring: brass

Minimum sales quantity 100

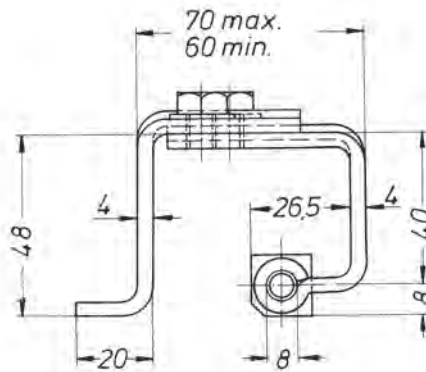
| Art.-Nr. mit festem<br>Stahlstift /<br>part no. with fixed<br>steel pin | Art.-Nr. mit festem<br>Messingstift /<br>part no. with fixed<br>brass pin | Bandlänge /<br>length<br>L = mm | Rollendicke /<br>thickness<br>h = mm | Rollen-Ø /<br>dia.<br>R1 = mm | Stift-Ø /<br>pin dia. /<br>d = mm | g/St./<br>g/each |
|---|---|---------------------------------|--------------------------------------|-------------------------------|-----------------------------------|------------------|
| <b>601 E427</b>   | <b>601 E436</b>   | 80                              | 15,5                                 | 13                            | 7                                 | 70               |
| <b>601 E428</b>   | <b>601 E437</b>   | 100                             | 20                                   | 16                            | 9                                 | 175              |

Anschweißbandrollen mit Flachkopf auch in Nirosta-Ausführung 1.4305. Lieferbar auf Anfrage.

Anschweißbandrollen mit Buchstabe „E“ in der Art.-Nr.: Sonderanfertigung.

Lift-off hinges for weld-on applications with flat head pin also available on request in stainless steel, material 1.4305.

Part numbers containing the letter “E”: to special order.



**601 0141**

**Verschwandscharnier**

für Schalt- bzw. Blechschränke  
 Abkantung A: 26 mm max.  
 Seitensteg B: 35 mm min  
 Werkstoff: Stahl, verzinkt  
 479 g/St.

VE 10 St.

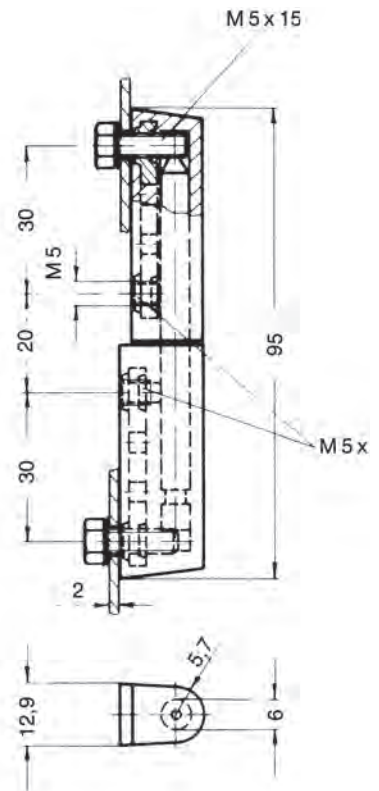
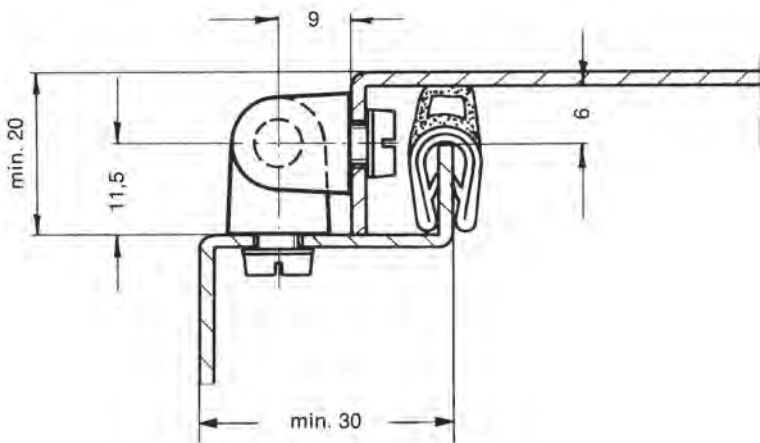
**601 0141**

**Concealed hinge**

for switch and steel cabinets  
 Edge fold A: 26 mm max.  
 Side footbridge B: 35 mm min.  
 Material: steel, galvanised

479 g/each

S.U. 10



**601 0148**

**Anschraubcharnier**

mit Metalleinlage und Gewinde M 5  
 Werkstoff: Polyamid, schwarz  
 Stift: 1.4305  
 49 g/St.

VE 10 St.

**601 0148**

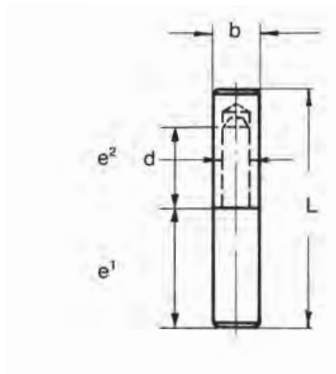
**Screw-on hinge**

with metal insert and M 5 thread  
 Material: polyamide, black  
 Pin: 1.4305  
 49 g/each

S.U. 10



Stainless



**Anschweißbandrolle** (auf Anfrage)

mit Flachkopf  
Werkstoff: 1.4301

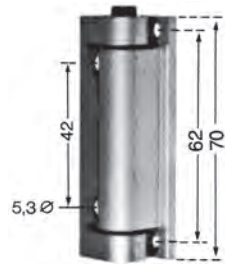
VE 20 St.

**Lift-off hinge** (on request)

for weld-on applications  
Material: 1.4301

S.U. 20

| Art.-Nr./<br>part no. | Bandlänge /<br>length<br>L = mm | Rollendicke/<br>thickness<br>b = mm | Stiftlänge/<br>pin length<br>e <sup>1</sup> = mm | Stiftlänge/<br>pin length<br>e <sup>2</sup> = mm | Stift-Ø/<br>pin dia.<br>d = mm | g/St./<br>g/each |
|-----------------------|---------------------------------|-------------------------------------|--|--|--------------------------------|------------------|
| <b>601 0152</b>       | 40                              | 8                                   | 35   | 15   | 5                              | 15               |
| <b>601 0153</b>       | 50                              | 10                                  | 42   | 17   | 6                              | 30               |
| <b>601 0154</b>       | 70                              | 13                                  | 56   | 22   | 8                              | 70               |
| <b>601 0155</b>       | 80                              | 16                                  | 65   | 25   | 10                             | 122              |



### 601 0130

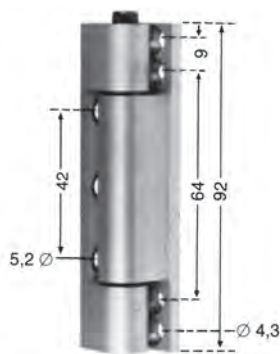
#### Scharnier (auf Anfrage)

links und rechts verwendbar  
 Werkstoff: AlMgSi, eloxiert  
 Stift: rostfreier Stahl  
 60 g/St.

### 601 0130

#### Hinge (on request)

usable on left and right  
 Material: AlMgSi, hard anodised  
 Pin: stainless steel  
 60 g/each



### 601 0131

#### Scharnier (auf Anfrage)

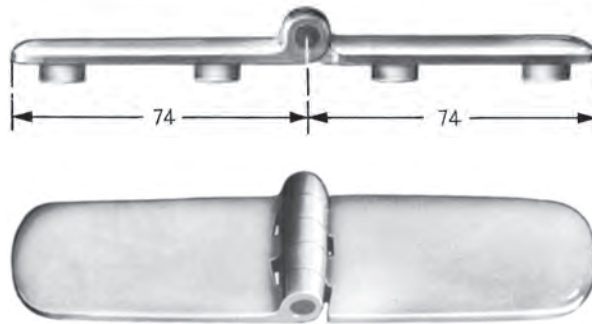
links und rechts verwendbar  
 Werkstoff: AlMgSi, eloxiert  
 Stift: rostfreier Stahl  
 82 g/St.

### 601 0131

#### Hinge (on request)

usable on left and right  
 Material: AlMgSi, hard anodised  
 Pin: stainless steel  
 82 g/each





**601 0060**

**Deckelscharnier**

mit 4 Gewindebohrungen M 6  
 Gelenkbreite: 40 mm  
 Drehwinkel: ca. 240°  
 Stift: 1.4305  
 Werkstoff: G AlMg, trowalisiert  
 70 g/St.

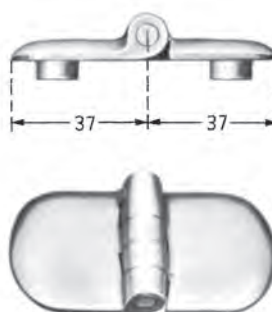
VE 1 St.

**601 0060**

**Flap hinge**

with 4 M 6 threaded holes  
 Joint width: 40 mm  
 Opening angle: approx. 240°  
 Pin: 1.4305  
 Material: die-cast AlMg, tumbled  
 70 g/each

S.U. 1



**601 0050** eloxiert  
**601 0051** trowalisiert

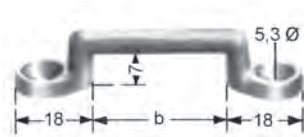
**Deckelscharnier** (auf Anfrage)

mit 2 Gewindebohrungen M 6  
 Gelenkbreite: 40 mm  
 Drehwinkel: ca. 240°  
 Werkstoff: G AlMg  
 40 g/St.

**601 0050** anodised  
**601 0051** tumbled

**Flap hinge** (on request)

with 2 M 6 threaded holes  
 Joint width: 40 mm  
 Opening angle: approx. 240°  
 Material: die-cast AlMg  
 40 g/each



**320 0011** b = 25 mm, 18 g/St.  
**320 0013** b = 30 mm, 20 g/St.

**Lakai-Krampe**

Werkstoff: Temperguss vernickelt

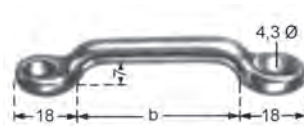
VE 100 St.

**320 0011** b = 25 mm, 18 g/each  
**320 0013** b = 30 mm, 20 g/each

**Belt cramp**

Material: malleable castng, nickel-plated

S.U. 100



**320 0015**

**Lakai-Krampe**

b = 40 mm  
Werkstoff: G AlMg, poliert  
13 g/St.

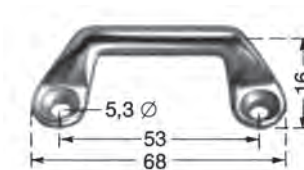
VE 100 St.

**320 0015**

**Belt cramp**

b = 40 mm  
Material: die-cast, AlMg, poliert  
13 g/each

S.U. 100



**320 0016** Temperguss, schwarz lackiert  
**320 0017** Temperguss, verchromt

**Türhalter-Krampe**

35 x 7 mm lichter Durchlass  
35 g/St.

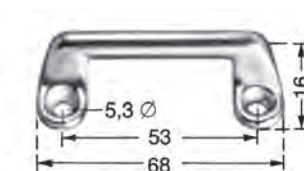
VE 100 St.

**320 0016** malleable casting, black painted  
**320 0017** malleable casting, chrome-plated

**Door retainer cramp**

inside opening 35 x 7 mm  
35 g/each

S.U. 100



**320 0025** Temperguss, schwarz lackiert  
**320 0026** Temperguss, verchromt

**Türhalter-Krampe**

40 x 8 mm lichter Durchlass  
35 g/St.

VE 50 St.

**320 0025** malleable casting, black painted  
**320 0026** malleable casting, chrome-plated

**Door retainer cramp**

inside opening 40 x 8 mm  
35 g/each

S.U. 50



# Beschläge Fittings

**HAPPICH-RIU S.A.**

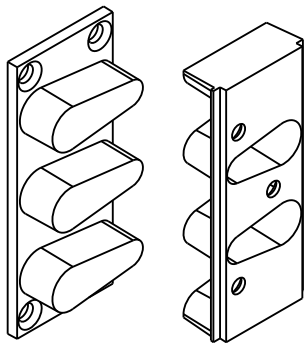
Avda. Maresme, 44 3<sup>o</sup>-1<sup>a</sup>  
08918 Badalona  
Spain

Phone +34 933 037 600  
Fax +34 933 037 610  
E- Mail [acriu@acriu.com](mailto:acriu@acriu.com)

[www.happich-riu.com](http://www.happich-riu.com)



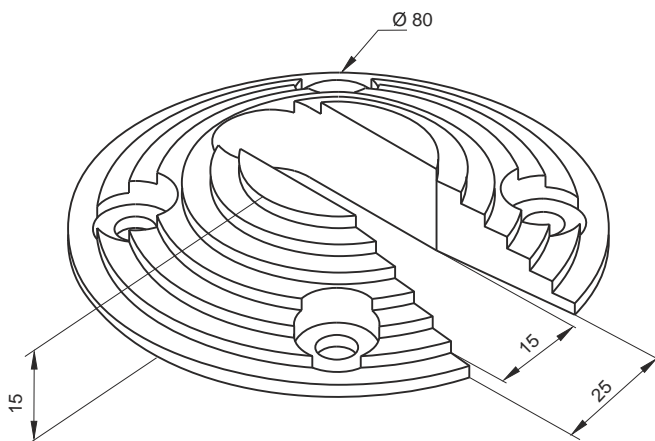
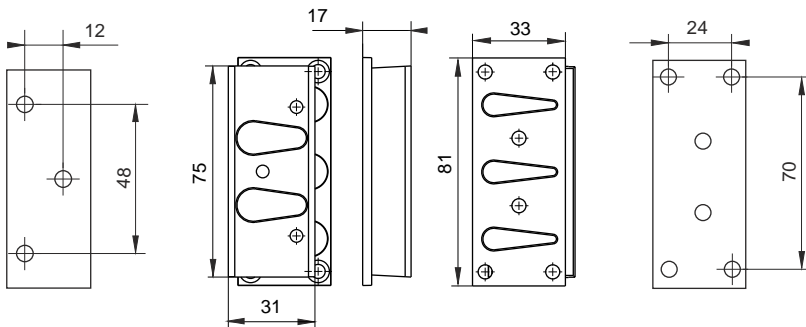
**GUIAS  
DE PUERTA**  
\*  
**DOOR GUIDES**



**0212 00**  
CONJUNTO GUIA DE PUERTA  
DOOR GUIDE SET

Poliamida negra  
Black polyamide

Peso / Weight 35 g



**0216 00**  
GUIA PUERTA NEUMATICA  
PNEUMATIC DOOR GUIDE

Plástico negro  
Black Plastic

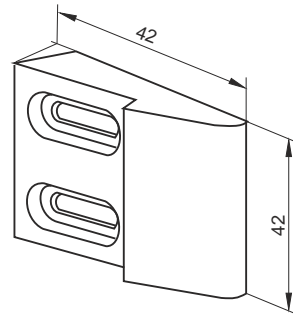
Peso / Weight 25 g



**0250 00**  
RESBALON PARA CERRADURA  
LOCK STRIKE

Zamak  
Diecast Zamak

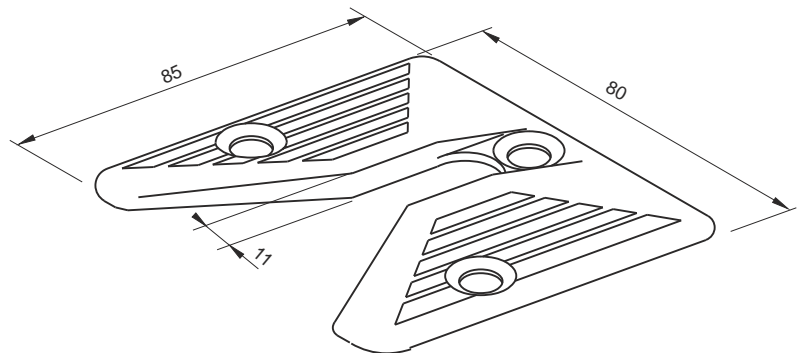
Peso / Weight 72 g



**0217 00**  
GUIA PUERTA NEUMATICA  
PNEUMATIC DOOR GUIDE

Plástico negro  
Black Plastic

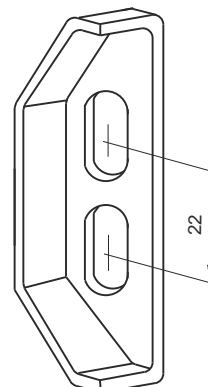
Peso / Weight 45 g

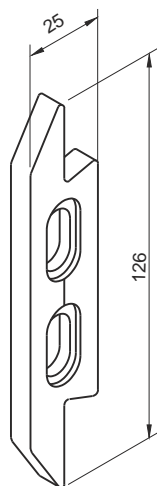


**0218 10**  
GUIA PUERTA AUTOCAR  
COACH DOOR GUIDE

Acero cincado  
Zinc plated steel

Peso / Weight 60 g

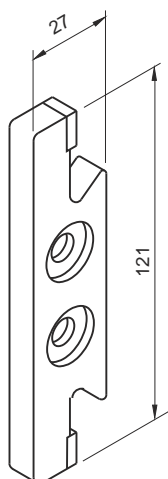




**0220 01**  
GUIA SUPERIOR  
LADO MONTANTE  
UPPER GUIDE  
FRAME SIDE

Acero fundido pintado negro  
Black enameled diecast steel

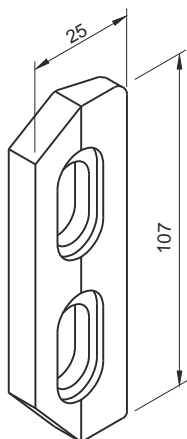
Peso / Weight 130 g



**0220 02**  
GUIA SUPERIOR  
LADO PUERTA  
UPPER GUIDE  
DOOR SIDE

Acero fundido pintado negro  
Black enameled diecast steel

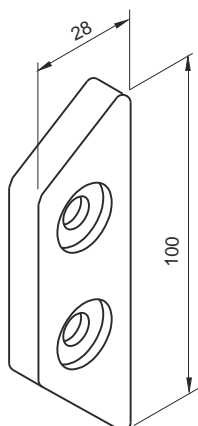
Peso / Weight 130 g



**0221 01**  
GUIA INFERIOR  
LADO MONTANTE  
LOWER GUIDE  
FRAME SIDE

Acero fundido pintado negro  
Black enameled diecast steel

Peso / Weight 130 g



**0221 02**  
GUIA INFERIOR  
LADO PUERTA  
LOWER GUIDE  
DOOR SIDE

Acero fundido pintado negro  
Black enameled diecast steel

Peso / Weight 150 g



## RETENEDORES DE PUERTA

\*

### DOOR RETAINERS

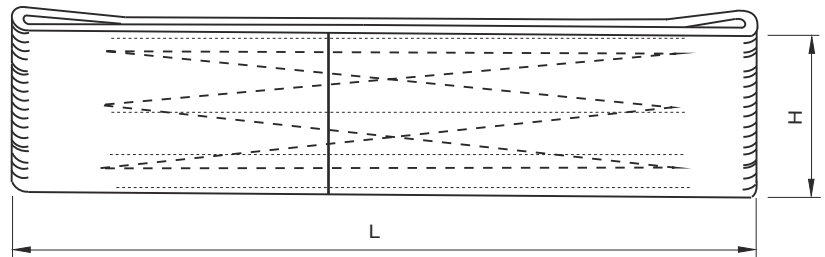


RETENEDOR DE PUERTA EN CINTA DE POLIESTER  
POLIESTER BELT  
DOOR KEEPER

Color negro / Black colour

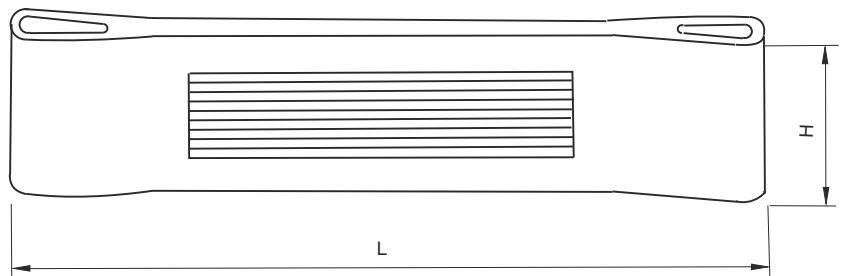
RETENEDOR MODELO PEGASO  
PEGASO MODEL DOOR RETAINER

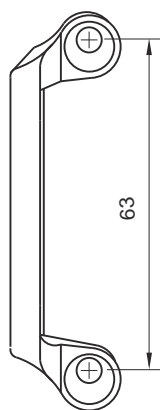
|                | <b>L x H</b> | <b>Peso/Weight</b> |
|----------------|--------------|--------------------|
| <b>0293 00</b> | 70 x 48 mm   | 10 g               |
| <b>0293 01</b> | 150 x 48 mm  | 18 g               |
| <b>0293 02</b> | 180 x 48 mm  | 22 g               |
| <b>0293 03</b> | 220 x 48 mm  | 28 g               |



RETENEDOR DE PUERTA EN GOMA  
RUBBER DOOR RETAINER

|                | <b>L x H</b> | <b>Peso/Weight</b> |
|----------------|--------------|--------------------|
| <b>0292 01</b> | 160 x 40 mm  | 70 g               |
| <b>0292 02</b> | 180 x 40 mm  | 76 g               |
| <b>0292 03</b> | 220 x 40 mm  | 100 g              |

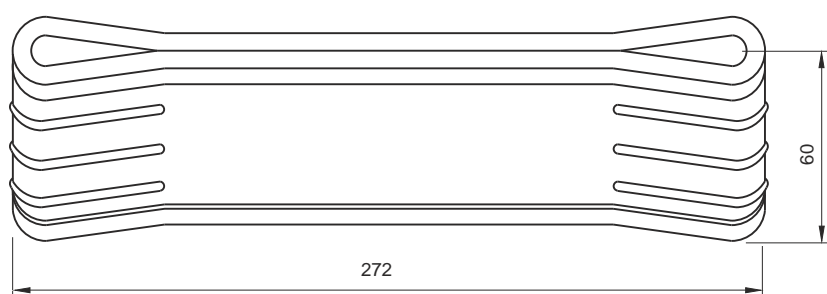




**0298 00**  
GRAPA PARA RETENEDOR  
*FIXING BRACKET*

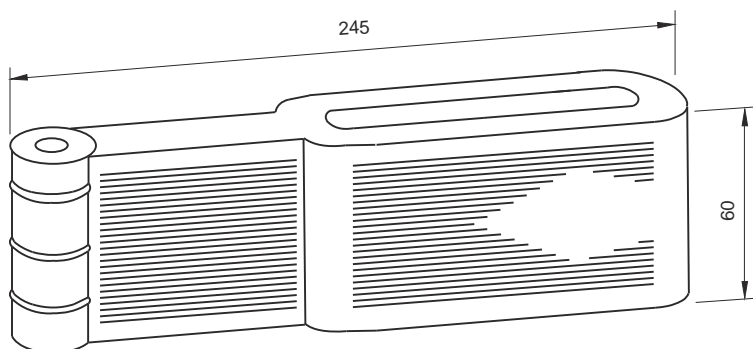
Zamak cincado  
Zinc plated zamak

Peso / Weight 28 g



**0296 00**  
RETENEDOR DE PUERTA  
EN GOMA  
*RUBBER DOOR RETAINER*

Peso / Weight 180 g



**0288 01**  
GOMA PARA RETENEDOR  
AUTOCAR  
*RUBBER COACH DOOR  
RETAINER*

Peso / Weight 260 g

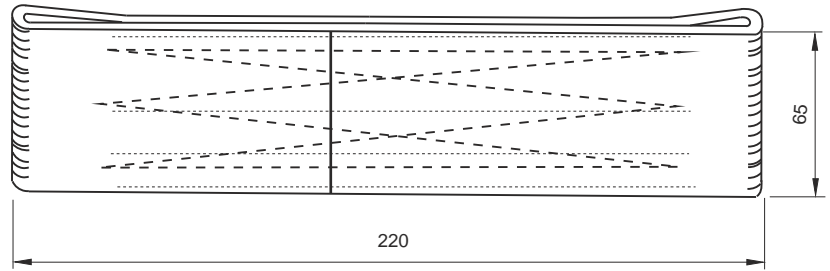




**0288 51**  
RETENEDOR DE PUERTA EN  
CINTA DE POLIESTER  
*POLYESTER BELT DOOR RETAINER*  
220 x 65 mm

Color gris  
Grey colour

Peso / Weight 48 g

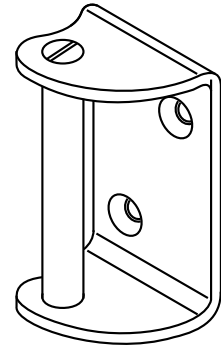
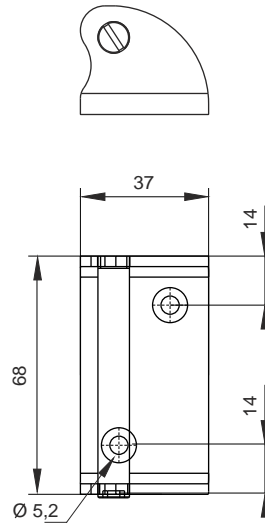


DIBUJO LADO DERECHO  
*RIGHT HAND SIDE DRAWING*

**0288 06**  
JUEGO HERRAJES PARA  
RETENEDOR DERECHA E  
IZQUIERDA  
*SET OF FIXING BRACKETS*  
*LEFT & RIGHT HANDS*

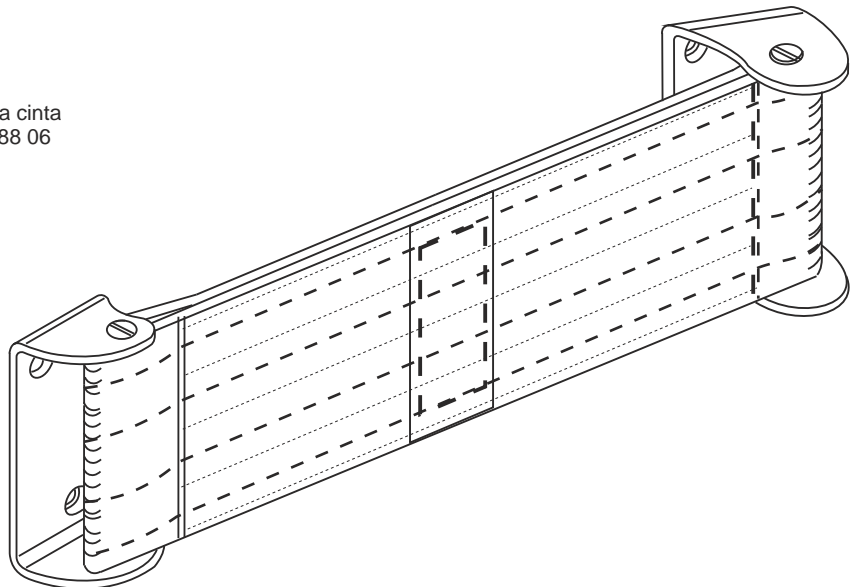
Acero cincado  
Zinc plated steel

Peso / Weight 249 g



EJEMPLO DE MONTAJE  
*MOUNTING/ EXAMPLE*

Un retenedor completo, comprende una cinta  
0288 51 y un juego de dos herrajes 0288 06  
*Complete fitting set includes one nylon*  
*part 0288 51 and a kit of two steel*  
*brackets 0288 06*



**0300 19**

RETENEDOR DE PUERTA

LONGITUD 190 mm

Goma sola

*DOOR RETAINER, LENGTH 190 mm*

Rubber part only

Peso / Weight 160 g

**0300 22**

RETENEDOR DE PUERTA

LONGITUD 220 mm

Goma sola

*DOOR RETAINER, LENGTH 220 mm*

Rubber part only

Peso / Weight 260 g

**0300 23**

RETENEDOR DE PUERTA

LONGITUD 230 mm

Goma sola

*DOOR RETAINER, LENGTH 230 mm*

Rubber part only

Peso / Weight 290 g

**0300 25**

RETENEDOR DE PUERTA

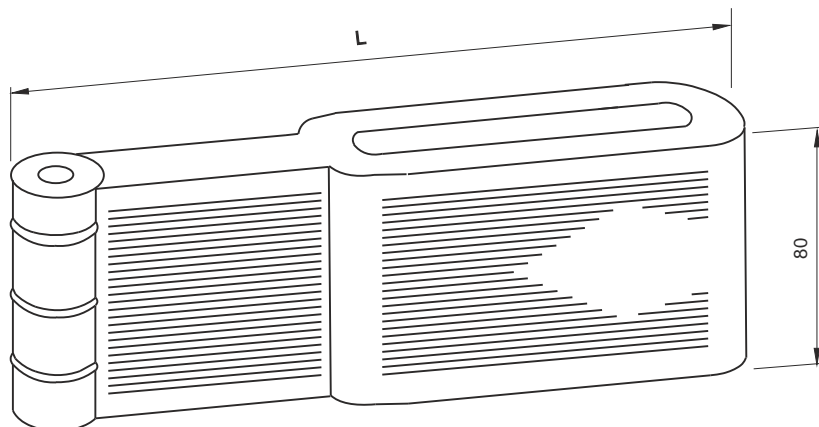
LONGITUD 250 mm

Goma sola

*DOOR RETAINER, LENGTH 250 mm*

Rubber part only

Peso / Weight 300 g



**0300 21**

RETENEDOR DE PUERTA

CINTA DE POLIESTER

220 x 75 mm

*POLYESTER BELT*

*DOOR RETAINER*

220 x 75 mm

Color gris

Grey colour

Peso / Weight 85 g

**0300 26**

RETENEDOR DE PUERTA

CINTA DE POLIESTER

245 x 75 mm

*POLYESTER BELT*

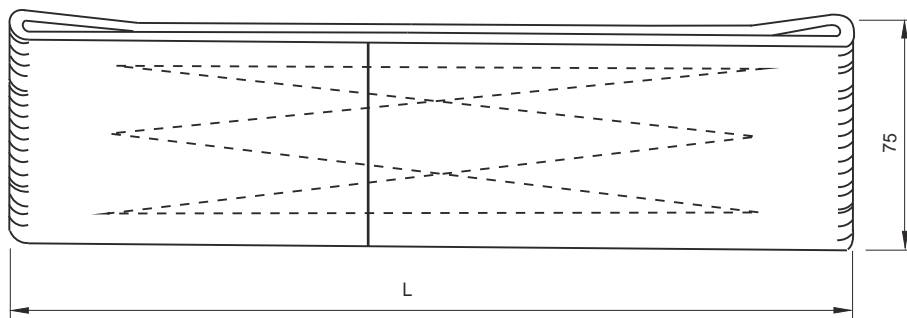
*DOOR RETAINER*

245 x 75 mm

Color gris

Grey colour

Peso / Weight 109 g

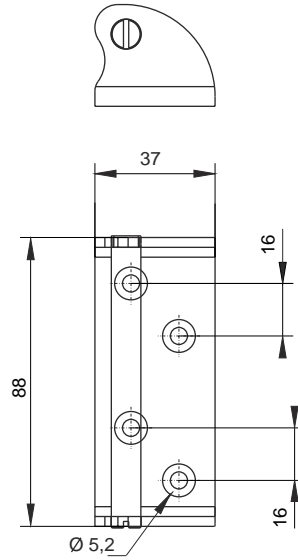




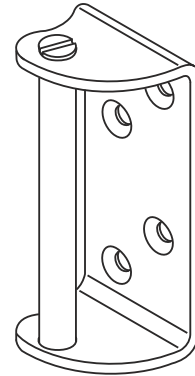
**0300 50**  
JUEGO HERRAJES PARA  
RETENEDOR, DERECHA  
E IZQUIERDA  
STEEL BRACKET SET  
LEFT & RIGHT HAND

Acero cincado  
Zinc plated steel

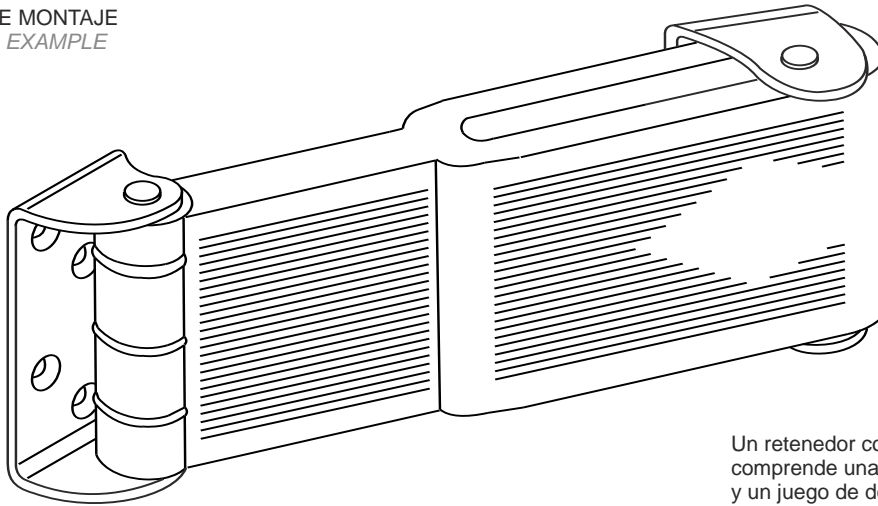
Peso / Weight 298 g



DIBUJO MANO DERECHA  
RIGHT SIDE HAND DRAWING

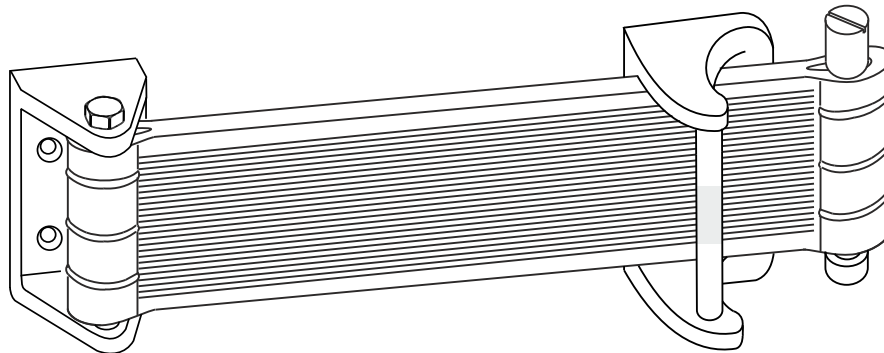


EJEMPLO DE MONTAJE  
MOUNTING EXAMPLE



Un retenedor completo,  
comprende una goma 0300  
y un juego de dos herrajes 0300 50  
*Complete fitting set  
includes one rubber part 0300  
and a kit of two steel brackets 0300 50*

EJEMPLO DE MONTAJE  
MOUNTING EXAMPLE



Un retenedor completo comprende:  
1 cinta 0268 22 / 0268 26,  
1 herraje fijo 0268 01 y  
1 herraje móvil 0268 02  
*Complete retainer set includes:  
1 rubber part 0268 22/26  
1 fixed bracket 0268 01,  
1 movable bracket 0268 02.*

**0268 22**  
 RETENEDOR DE  
 PUERTA AUTOCAR  
 RUBBER COACH  
 DOOR RETAINER

Goma sola  
 Rubber part only

L = 220

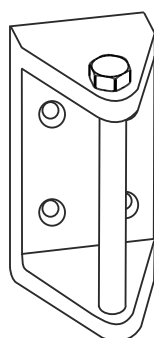
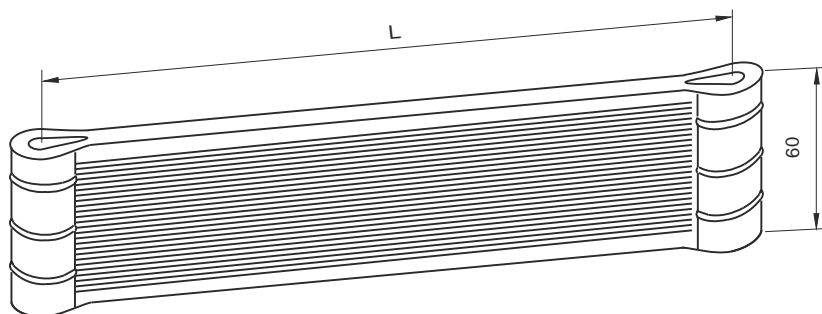
Peso / Weight 150 g

**0268 26**  
 RETENEDOR DE  
 PUERTA AUTOCAR  
 RUBBER COACH  
 DOOR RETAINER

Goma sola  
 Rubber part only

L = 260

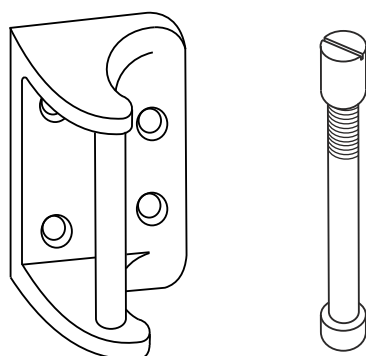
Peso / Weight 180 g



**0268 01**  
 GRAPA FIJA PARA RETENEDOR  
 CON TORNILLO  
 FIXING BRACKET FOR RETAINER  
 WITH SCREW

Aluminio fundido  
 Casted aluminium

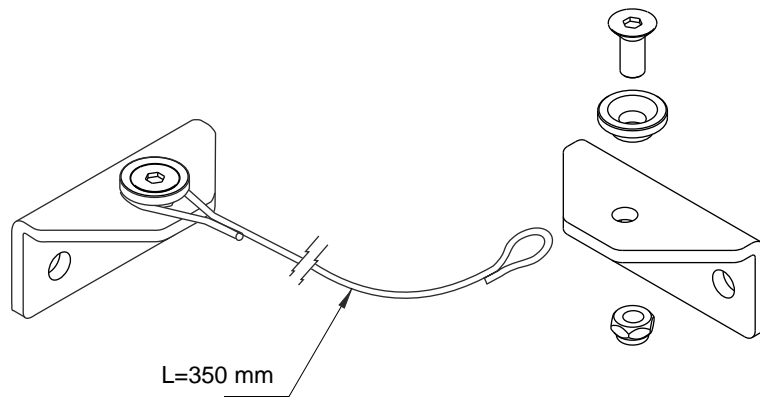
Peso / Weight 114 g



**0268 02**  
 SOPORTE MOVIL CON PERNO  
 Y TUERCA  
 MOVABLE BRACKET FOR RETAINER  
 WITH SCREW AND NUT

Aluminio fundido  
 Casted aluminium

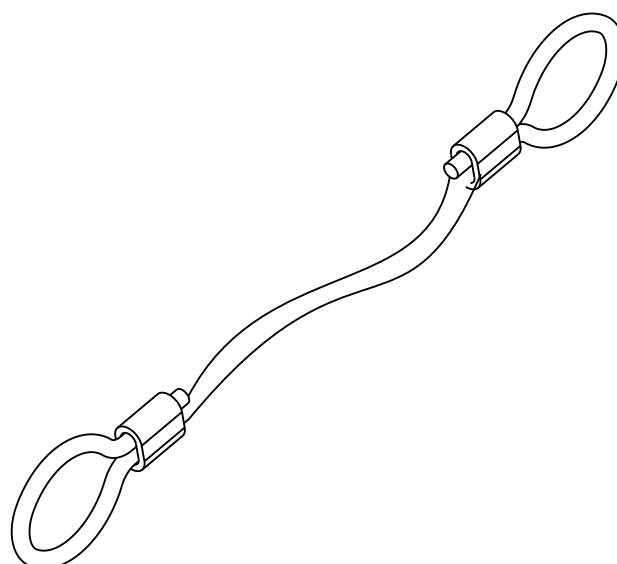
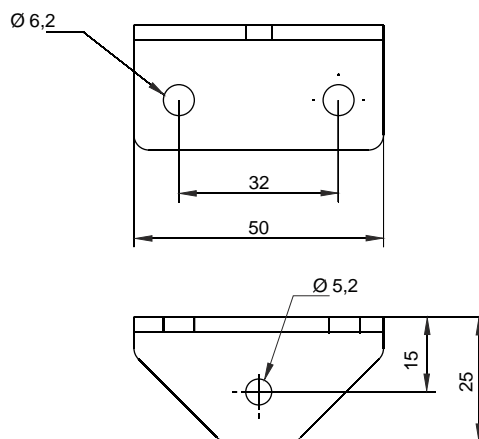
Peso / Weight 138 g



**0256 00**  
JUEGO RETENEDOR  
CON CABLE  
STEEL CABLE RETAINER SET

Cable acero inoxidable 2mm  
Soportes acero cincado  
2mm stainless steel cable  
Zinc plated steel brackets

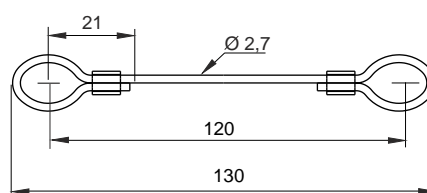
Peso / Weighth 298 g

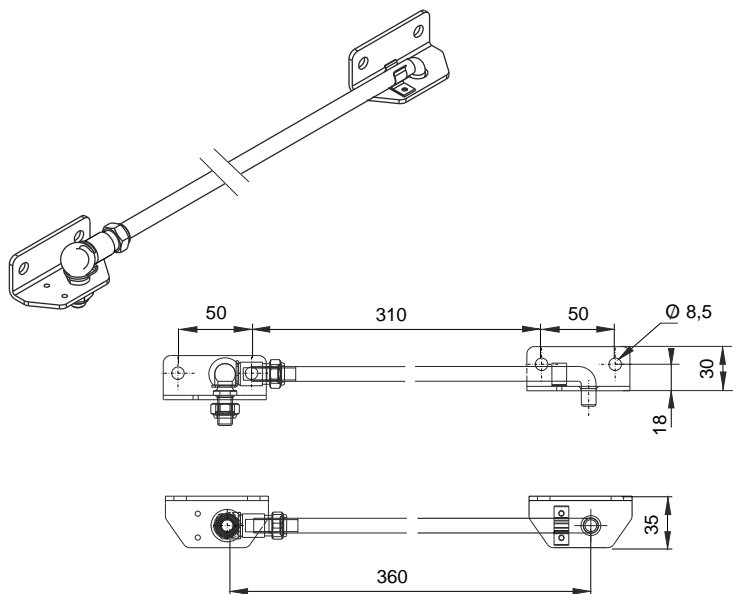


**0257 00**  
CABLE RETENEDOR  
CABLE RETAINER

Cable acero 2,7 mm  
2,7 mm steel cable

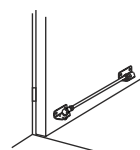
Peso / Weighth 8 g



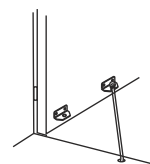


**0277 00**  
 RETENEDOR PUERTA  
 CON ROTULA  
 DOOR RETAINER  
 WITH KNEECAP  
 Acero cincado / Zinc plated steel

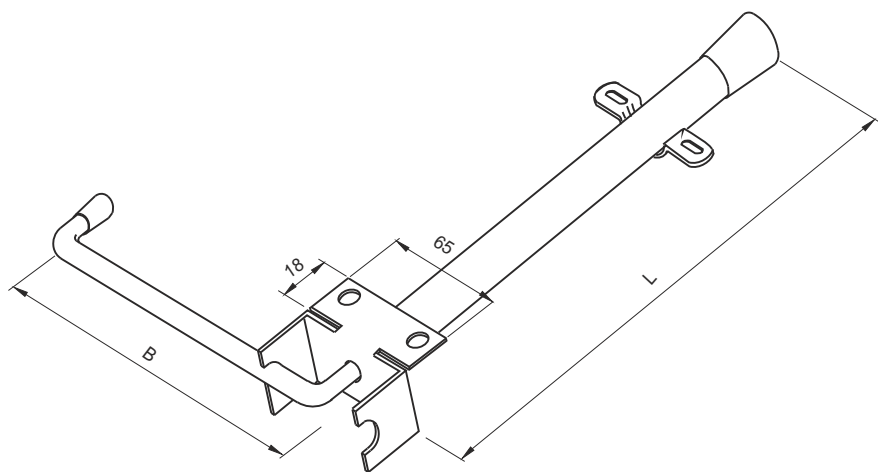
Peso / Weight 488 g



POSICION PUERTA LIBRE  
 FREE DOOR POSITION



POSICION PUERTA RETENIDA  
 DOOR POSITION HELD



**0270 00**  
 RETENEDOR DE MUELLE  
 SPRING LOADED DOOR RETAINER

B = 230 mm  
 L = 350 mm

Acero cincado  
 Zinc plated steel

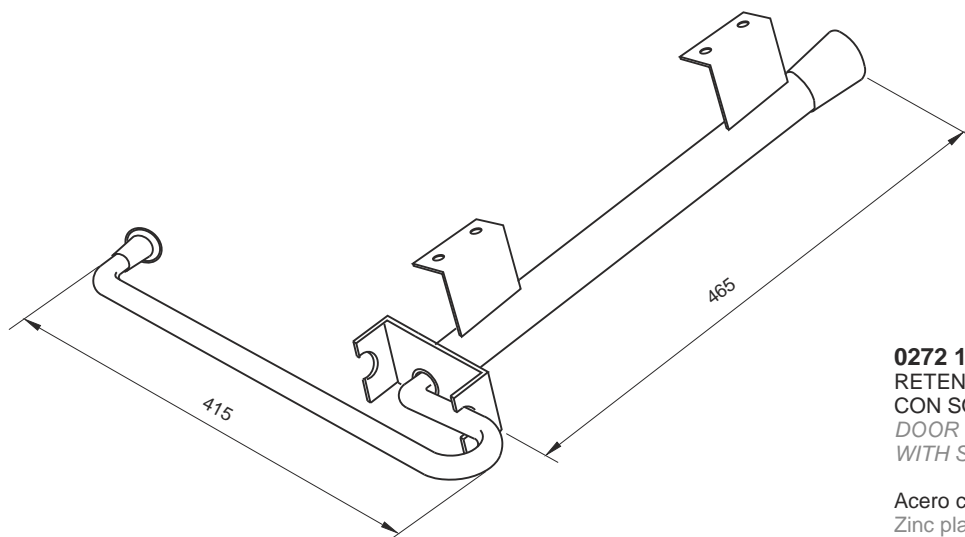
Peso / Weight 565 g

**0271 01**  
 RETENEDOR DE MUELLE  
 SPRING LOADED  
 DOOR RETAINER

B = 270 mm  
 L = 510 mm

Acero cincado  
 Zinc plated steel

Peso / Weight 1200 g



**0272 10**  
 RETENEDOR DE BRAZO  
 CON SOPORTES  
 DOOR RETAINER  
 WITH SUPPORT

Acero cincado y bicromatado  
 Zinc plated steel  
 & yellow plated steel

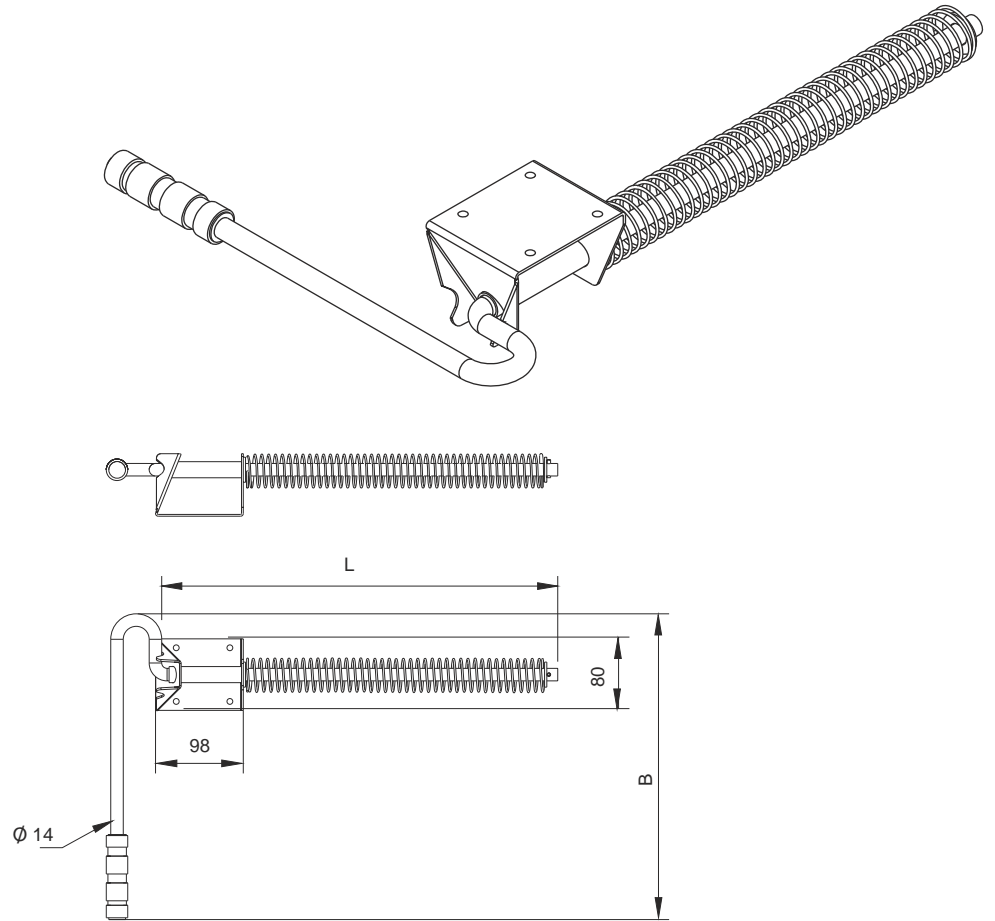
Peso / Weight 2530 g



**0272 00**  
RETENEDOR DE BRAZO  
MUELLE EXTERIOR  
SPRING LOADED DOOR  
RETAINER  
B = 340 mm ; L = 500 mm

Acero cincado  
Zinc plated steel

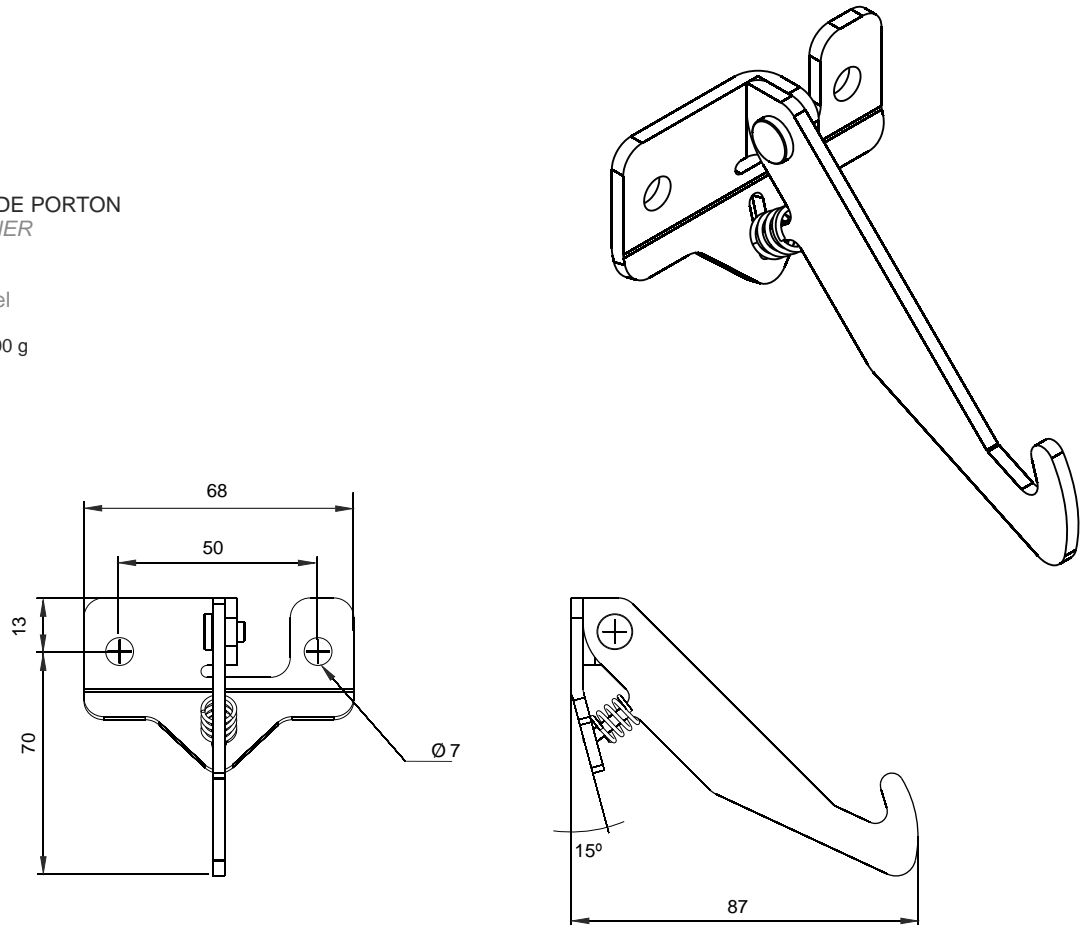
Peso / Weigth 1900 g

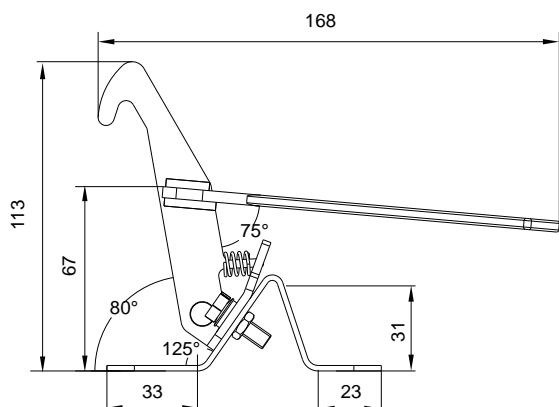
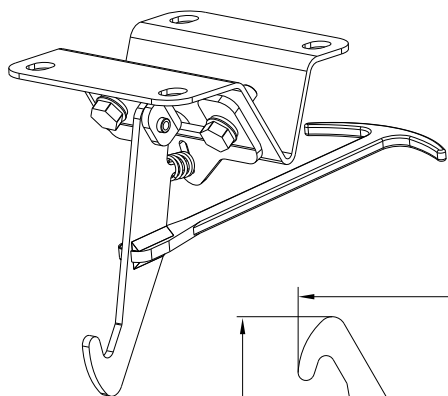


**0646 50**  
RETENEDOR DE PORTON  
DOOR RETAINER

Acero cincado  
Zinc plated steel

Peso / Weigth 100 g

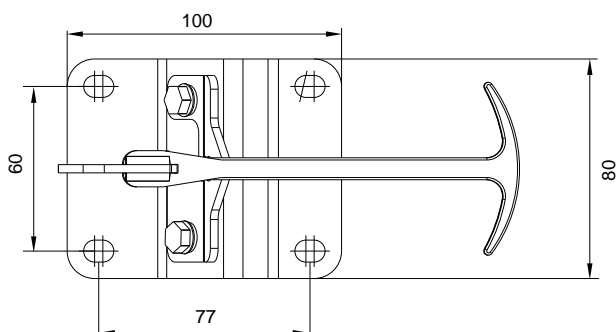




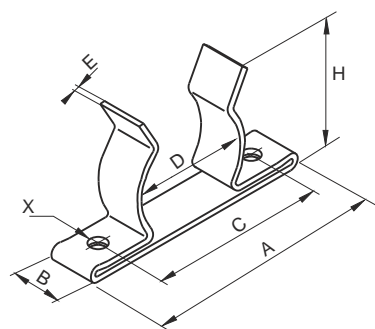
**0646 51**  
 RETENEDOR DE PORTON  
 CON TIRADOR  
 DOOR RETAINER WITH HANDLE

Acero cincado  
 Zinc plated steel

Peso / Weigh 200 g

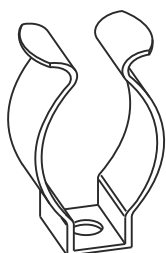


GRAPAS DE ACERO CROMADAS  
 CHROMED STEEL CLAMP



| CODIGO<br>CODE | Medida nominal<br>Nominal size | Peso<br>Weigth | MEDIDAS / SIZES |    |      |    |      |      |     |
|----------------|--------------------------------|----------------|-----------------|----|------|----|------|------|-----|
|                |                                |                | A               | B  | H    | C  | D    | E    | X   |
| <b>0750 04</b> | 4 - 5 mm                       | 2 g            | 21              | 10 | 9    | 11 | 4    | 0,40 | 3,3 |
| <b>0750 06</b> | 6 - 7 mm                       | 2,5 g          | 23              | 10 | 12   | 13 | 5,5  | 0,50 | 3,3 |
| <b>0750 08</b> | 8 - 9 mm                       | 4 g            | 25              | 10 | 14   | 15 | 7,8  | 0,50 | 3,4 |
| <b>0750 10</b> | 10 - 11 mm                     | 4 g            | 27              | 10 | 16   | 17 | 9,7  | 0,50 | 3,4 |
| <b>0750 12</b> | 12 - 13 mm                     | 5 g            | 29              | 14 | 17,5 | 19 | 11,5 | 0,65 | 3,4 |
| <b>0750 14</b> | 14 - 15 mm                     | 6 g            | 30              | 14 | 19   | 20 | 13   | 0,65 | 3,4 |
| <b>0750 16</b> | 16 - 17 mm                     | 6 g            | 33              | 14 | 20   | 21 | 15   | 0,65 | 3,4 |
| <b>0750 18</b> | 18 - 19 mm                     | 7 g            | 35              | 14 | 23   | 24 | 17   | 0,65 | 3,4 |
| <b>0750 20</b> | 20 - 21 mm                     | 12 g           | 37              | 18 | 27   | 25 | 19   | 0,75 | 4,1 |
| <b>0750 22</b> | 22 - 23 mm                     | 12 g           | 40              | 18 | 29   | 28 | 21   | 0,75 | 4,1 |
| <b>0750 24</b> | 24 - 25 mm                     | 14 g           | 45              | 18 | 29   | 31 | 24   | 0,75 | 4,1 |
| <b>0750 27</b> | 27 - 30 mm                     | 16 g           | 47              | 18 | 32   | 33 | 26   | 0,75 | 4,1 |
| <b>0750 32</b> | 32 - 35 mm                     | 16 g           | 51              | 18 | 34   | 38 | 28   | 0,75 | 4,1 |

GRAPAS 1 TALADRO  
 CLAMP 1 DRILLED HOLE  
 Acero templado Niquelado  
 Plated & tempered steel



| CODIGO<br>CODE | DIAMETRO<br>Diameter | PESO<br>Weigth |
|----------------|----------------------|----------------|
| <b>0751 15</b> | 15                   | 2 g            |
| <b>0751 20</b> | 20                   | 4 g            |
| <b>0751 25</b> | 25                   | 4 g            |
| <b>0751 30</b> | 30                   | 7 g            |
| <b>0751 35</b> | 35                   | 10 g           |



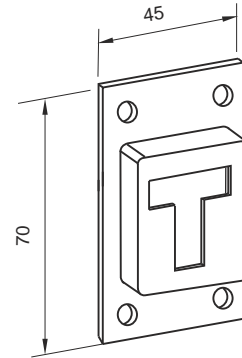
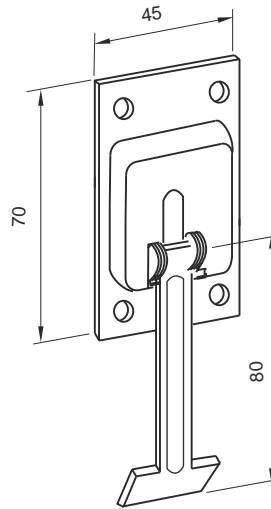


INOX - S.S.

**0285 00**  
CONJUNTO  
RETENEDOR DE PUERTA  
DOOR RETAINER SET

Acero inoxidable  
Stainless steel

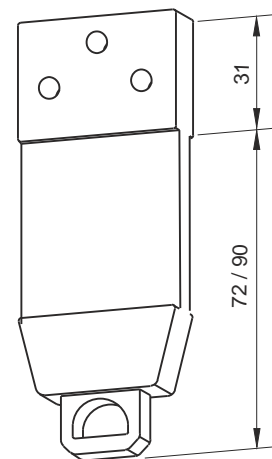
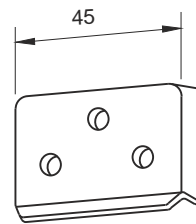
Peso / Weight 200 g



**0286 70**  
RETENEDOR COMPLETO  
72 mm  
COMPLETE DOOR  
RETAINER 72 mm

Poliuretano y Acero inoxidable  
Stainless steel and polyuretan

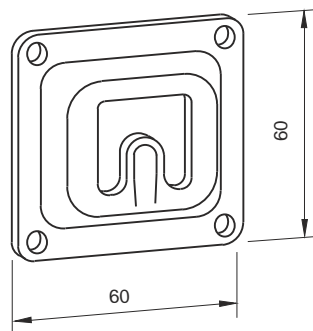
Peso / Weight 110 g

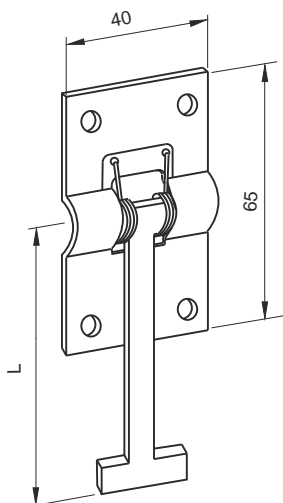


**0286 90**  
RETENEDOR COMPLETO  
90 mm  
COMPLETE DOOR  
RETAINER 90 mm

Poliuretano y Acero inoxidable  
Stainless steel and polyuretan

Peso / Weight 120 g





**0294 01**  
 RETENEDOR DE PUERTA MACHO  
 DOOR RETAINER MALE PART  
 L = 70 mm

Peso / Weight 54 g

**0294 03**  
 RETENEDOR DE PUERTA MACHO  
 DOOR RETAINER MALE PART  
 L = 90 mm

Acero cincado / Zinc plated steel

Peso / Weight 60 g

INOX - S.S.

**0295 01**  
 RETENEDOR DE PUERTA MACHO  
 DOOR RETAINER MALE PART  
 L = 75 mm

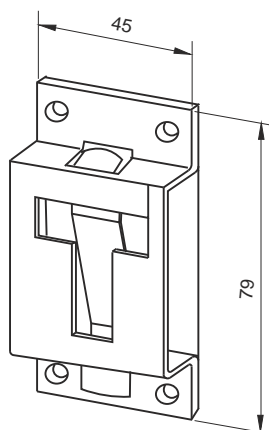
Peso / Weight 54 g

INOX - S.S.

**0295 03**  
 RETENEDOR DE PUERTA MACHO  
 DOOR RETAINER MALE PART  
 L = 90 mm

Acero inoxidable / Stainless steel

Peso / Weight 60 g



**0294 08**  
 RETENEDOR DE PUERTA  
 PARTE HEMBRA  
 DOOR RETAINER FEMALE PART

Acero cincado / Zinc plated steel

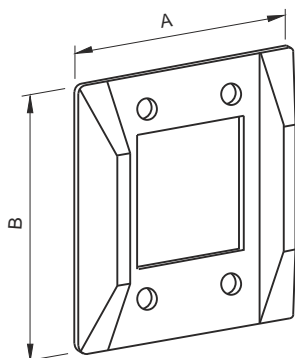
Peso / Weight 88 g

INOX - S.S.

**0295 08**  
 RETENEDOR DE PUERTA  
 PARTE HEMBRA  
 DOOR RETAINER FEMALE PART

Acero inoxidable / Stainless steel

Peso / Weight 88 g



**0294 15**  
 PROTECTOR PARA PARTE MACHO  
 PROTECTING PLATE MALE PART

P.V.C. Color negro  
 Black colour P.V.C

A=61 B=65  
 Peso / Weight 10 g

**0294 16**  
 PROTECTOR PARA PARTE HEMBRA  
 PROTECTING PLATE FEMALE PART

P.V.C. Color negro  
 Black colour P.V.C

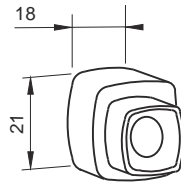
A=62 B=79  
 Peso / Weight 15 g.



**0287 01**  
TACO HEMBRA PARA  
RETENEDOR 15 mm  
FEMALE DOOR RETAINER

Goma / Rubber

Peso / Weight 4 g

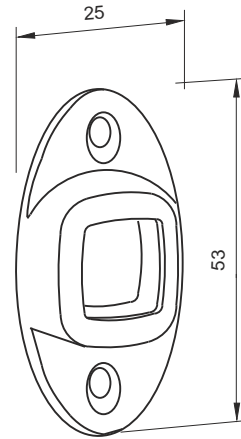


**0287 01**

**0287 02**  
BASE PARA GOMA DE  
RETENEDOR 15 mm  
HOUSING FOR RUBBER

Aluminio / Aluminium

Peso / Weight 12 g

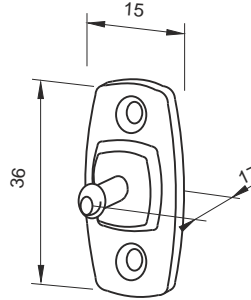


**0287 02**

**0287 03**  
PIVOTE MACHO 15 mm  
PARA RETENEDOR  
MALE 15 mm HEIGHT PIN

Aluminio / Aluminium

Peso / Weight 6 g

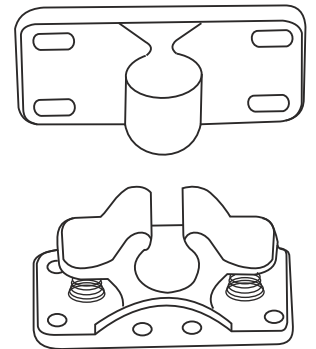
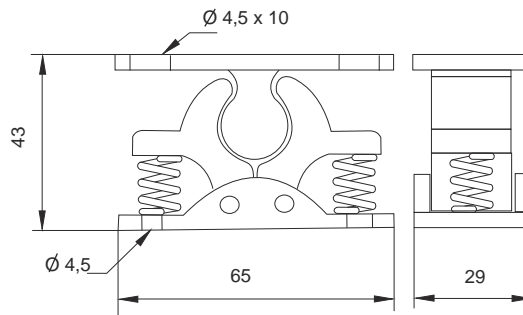


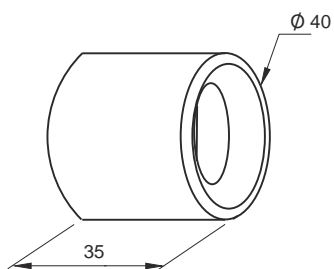
**0287 03**

**0290 00**  
RETENEDOR CON MUELLE  
DOOR RETAINER  
WITH SPRING

Nylon blanco  
White nylon

Peso / Weight 52 g



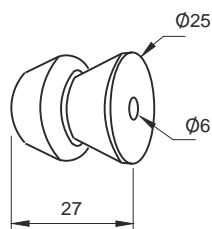


**0299 02**

**0299 02**  
PARTE HEMBRA  
DE RETENEDOR  
DOOR RETAINER  
FEMALE PART

Goma negra  
Black rubber

Peso/ Weight 50 g

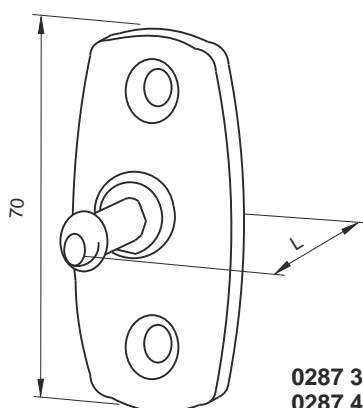


**0299 01**

**0299 01**  
PIVOTE PARA RETENEDOR  
DOOR RETAINER MALE PART

PVC negro  
Black PVC

Peso/ Weight 50 g



**0287 30**  
**0287 40**  
**0287 50**  
**0287 60**  
**0287 80**

**0287 30**  
PIVOTE 30 mm PARA RETENEDOR  
MALE 30 mm HEIGHT PIN

Aluminio / Aluminium

Peso / Weight 60 g

**0287 40**  
PIVOTE 40 mm PARA RETENEDOR  
MALE 40 mm HEIGHT PIN

Aluminio / Aluminium

Peso / Weight 60 g

**0287 50**  
PIVOTE 50 mm PARA RETENEDOR  
MALE 50 mm HEIGHT PIN

Aluminio / Aluminium

Peso / Weight 70 g

**0287 60**  
PIVOTE 60 mm PARA RETENEDOR  
MALE 60 mm HEIGHT PIN

Aluminio / Aluminium

Peso / Weight 70 g

**0287 80**  
PIVOTE 80 mm PARA RETENEDOR  
MALE 80 mm HEIGHT PIN

Aluminio / Aluminium

Peso / Weight 80 g

**0287 10**  
TACO HEMBRA PARA RETENEDOR  
FEMALE DOOR RETAINER

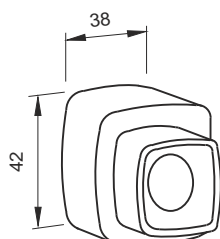
Goma / Rubber

Peso / Weight 36 g

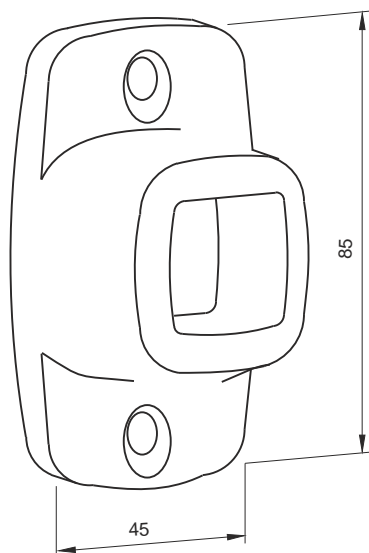
**0287 20**  
BASE PARA GOMA DE RETENEDOR  
HOUSING FOR RUBBER RETAINER

Aluminio / Aluminium

Peso / Weight 50 g



**0287 10**



**0287 20**